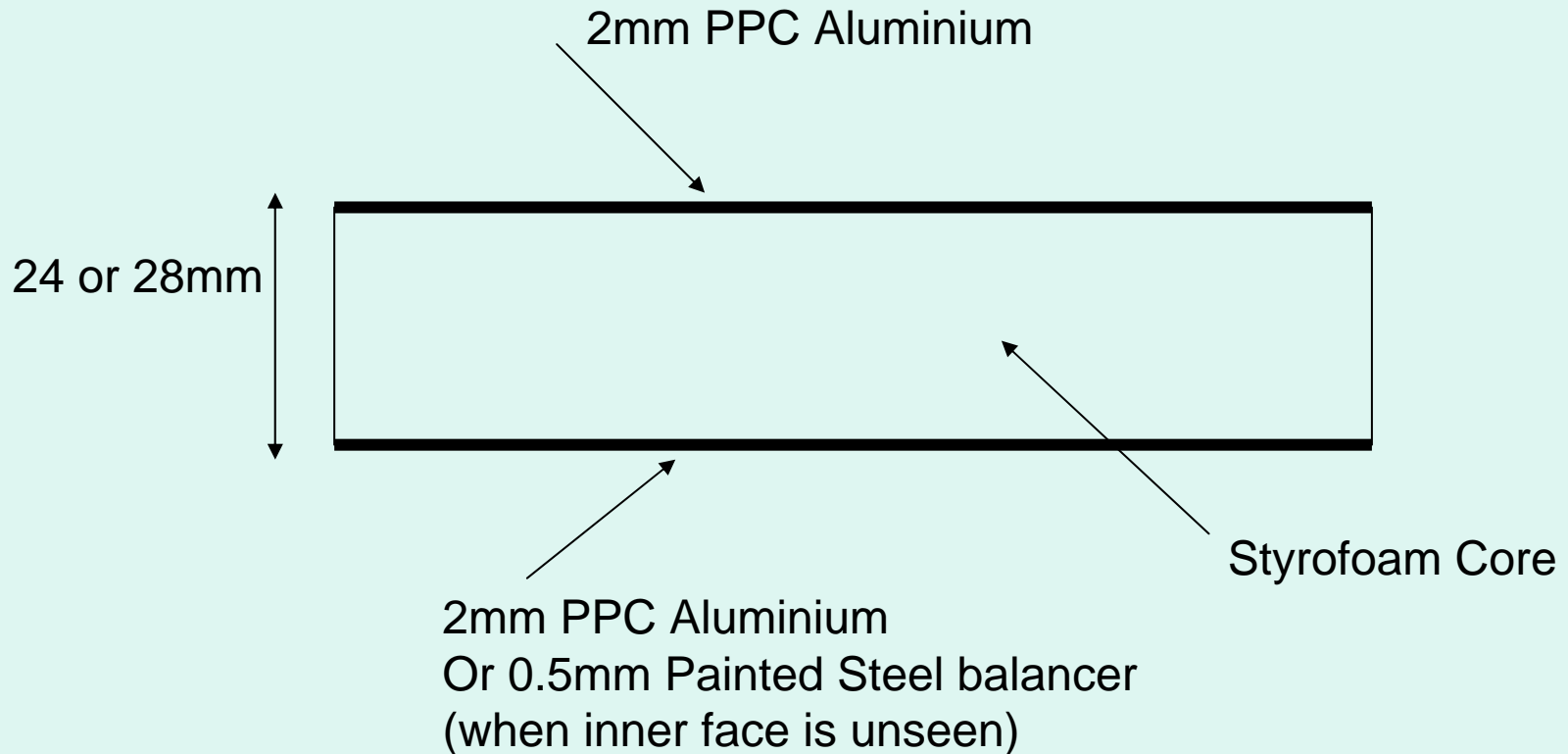


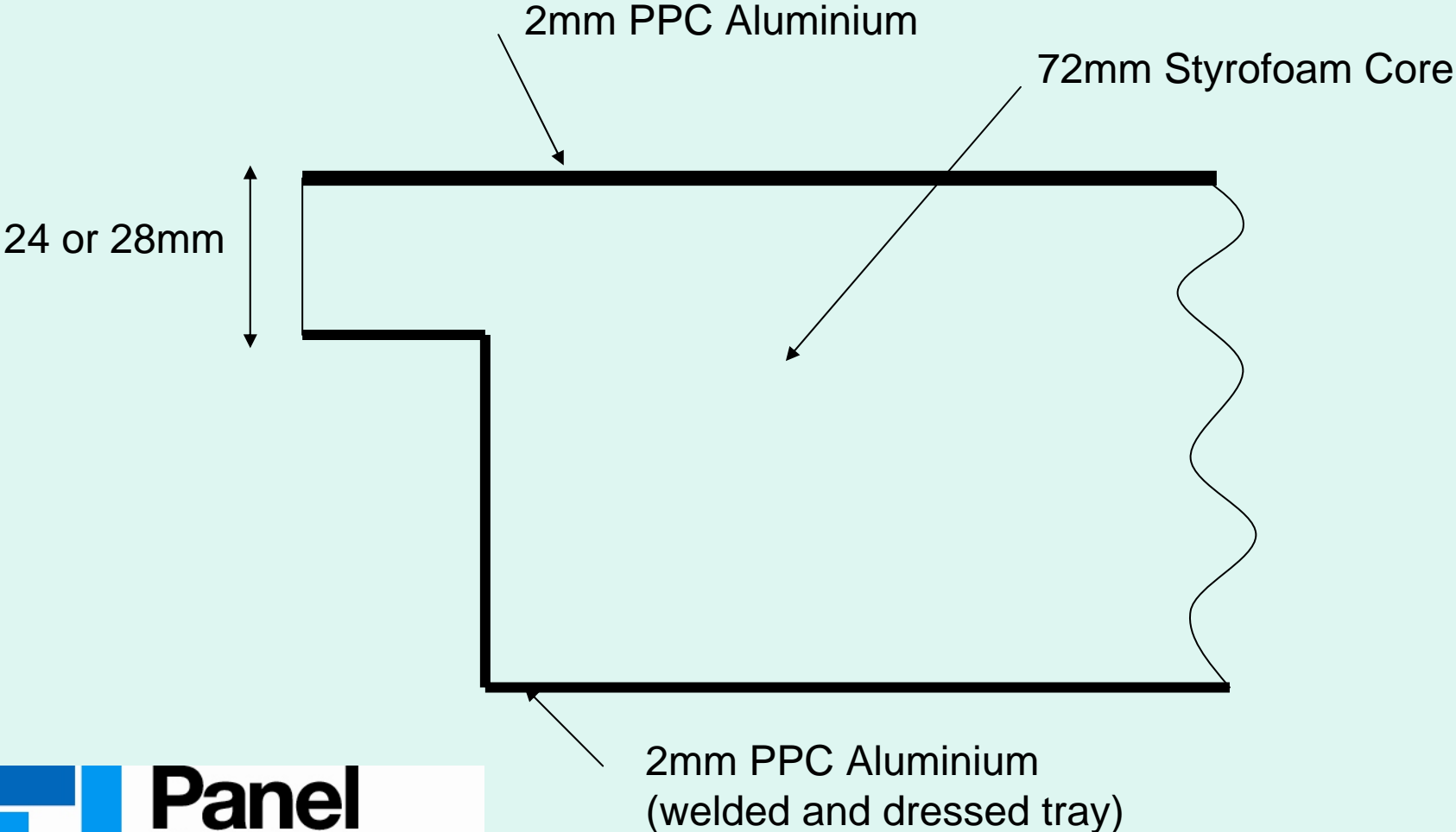
# Typical Composite Panel edge details

## Edge detail SQ1.1



# Panel Edge Detail TR1.1

(Achieves a 0.35 U Value)



# Panel Edge Detail TR5b

(Achieves a 0.35 U value)

